

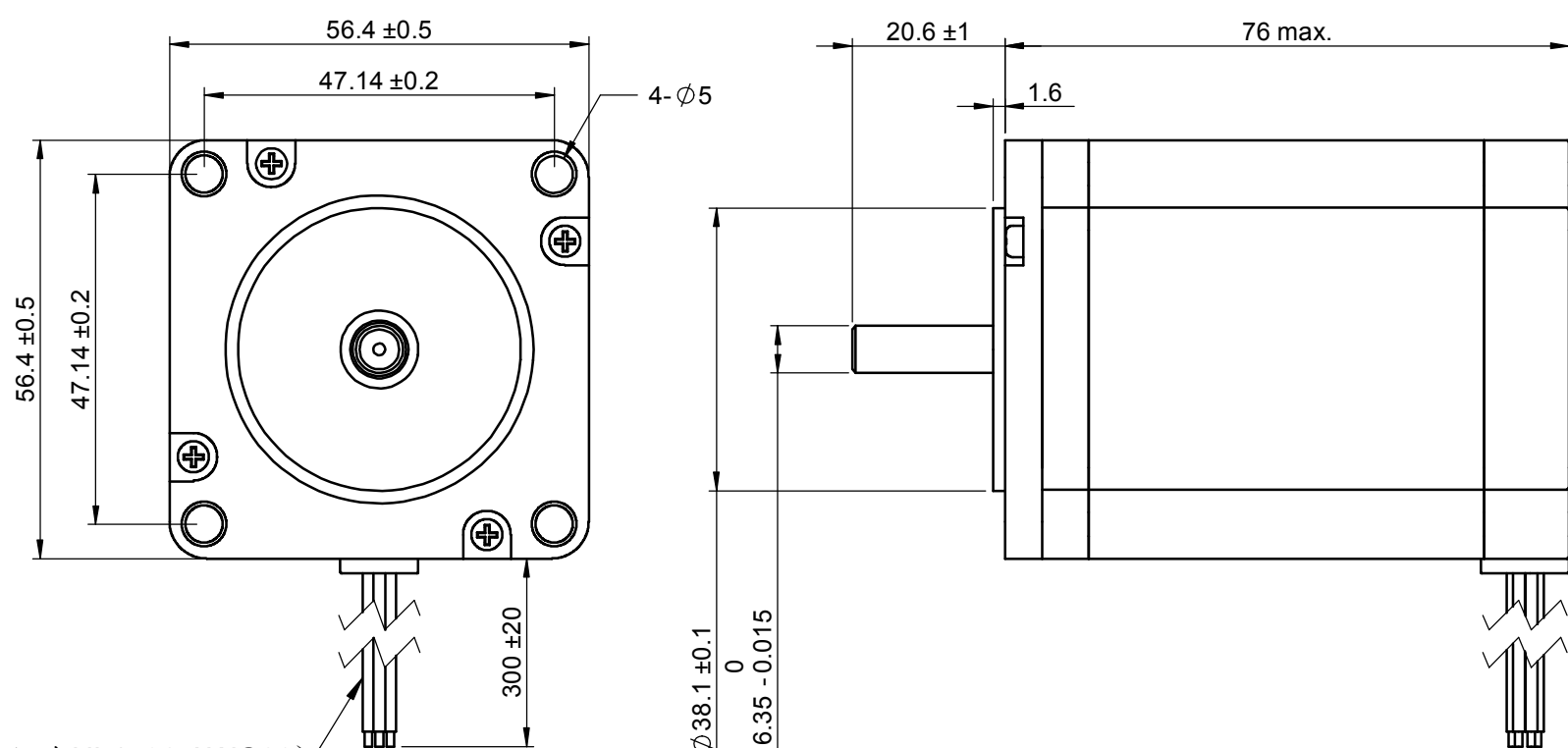
1 2 3 4 5 6

A A

B B

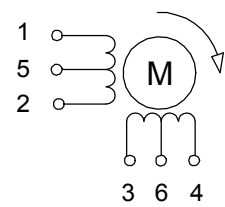
C C

D D



(此線徑為UL1430 AWG22)

$\phi 38.1 \pm 0.1$
0
 $\phi 6.35 - 0.015$



CONNECTOR PIN LOCATION					
PIN	COLOR	CCW ← → CW			
1	BLACK	+	-	-	+
2	GREEN	-	+	+	-
3	RED	+	+	-	-
4	BLUE	-	-	+	+
5	YELLOW				
6	WHITE				

註：以雙極性驅動板測試

 THIRD ANGLE PROJECTION ALL DIMENSION ARE IN MM (UNLESS OTHERWISE SPECIFIED)	製圖	Jane	Cheshire Electric Company, LLC		
	設計		Part No JH57-H0G1A779		
	審核		Name HB stepper motor		
	材料		REV. NO.	B	
繪製比例: 1:1	完成時間	2015/6/22			

MODEL	Motor Characteristics					
JH57-H0G1A779	Resistance	Step Angle	Steps Revolution	Max PIT Rate	Max POT Rate	POT(at300pps)
Constant current	24V 0.6 A	17.2Ω	1.8 °	200	600PPS	600PPS
						10400g-cm

1 2 3 4 5 6